

Features

- A base part and a plug-in protection module
- Patented large arc extinguisher technology
- Module unlock button, anti-vibration
- Status indicator, remote alarm
- PV Power System
- 35 mm rail installation

Discription

According to IEC and GB standard , SPD can release high voltage pulse energy, and limit surge in a safety voltage level.

The complete device consists of a base module and plug-in protection modules and is ready for installation.

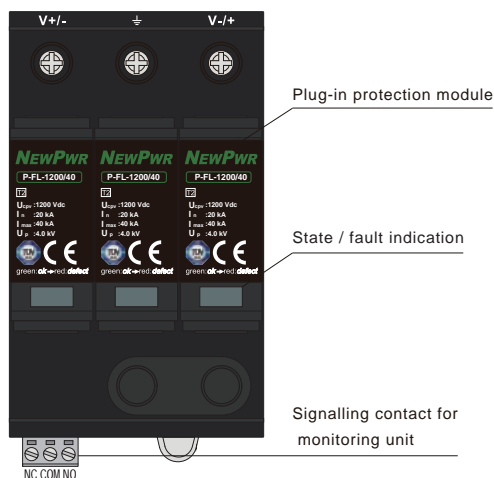
It is suitable for LPZ0_B ~ LPZ1 area and higher.

Parameter

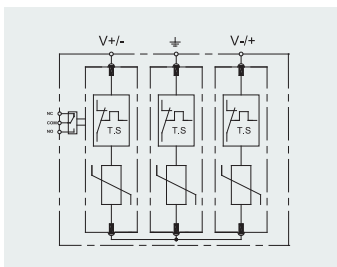
Technology	MOV
Max. continuous operating d.c. voltage U _{cpv}	1200 Vdc
Short-circuit withstand capacity I _{scpv}	1000 A
Nominal discharge current I _n (8/20 μs)	20 kA
Max. discharge current I _{max} (8/20 μs)	40 kA
Voltage protection level U _p	4.0 kV
Voltage protection level(5kA) U _p	3.0 kV
Cross-sectional area (min.)	1.5 mm ² stranded / flexible
Cross-sectional area (max.)	25 mm ² stranded / flexible
Response time T _a	≤ 25 ns
Remote communication function	P-FL-1200/40.PVR
Switching capacity	125 VAC/1A, 125 VDC/0.2A
Operating state / fault indication	Green / red
General parameters	
Operating temperature range	-40 °C ~ +80 °C
Installtion	35 mm DIN
Enclosure dimensions (H×W×D)	90 mm × 54 mm × 66 mm
Location category	Indoor only
Enclosure material	Thermoplastic
Flame retardant grade(UL94)	V0
Protection degree	IP20
Standards	EN 50539-11
Power system	PV system



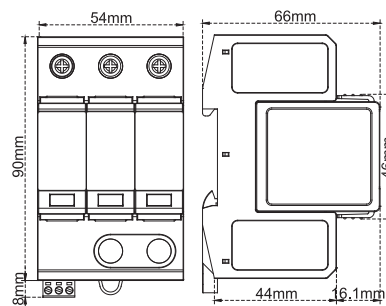
圖解



Schematic



Dimensions



Application

