

Features

- A base part and a plug-in protection module
- Patented large arc extinguisher technology
- Module unlock button, anti-vibration
- Status indicator, remote alarm
- 24VDC Power System
- 35 mm rail installation

Discription

It can use for 24VDC power system, protected terminal equipment, limit surge and meet to a safety voltage. comprising a base part and a plug-in protection module.

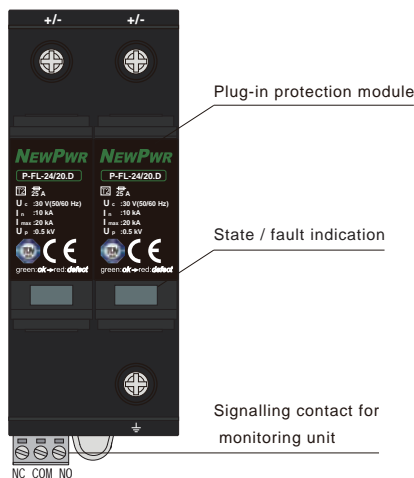
It is suitable for LPZ1 ~ LPZ2 area and higher.

Parameter

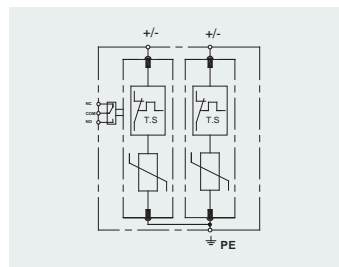
Technology	MOV
Nominal voltage Un	24 Vdc
Max. continuous operating voltage Uc	48 Vdc
Nominal discharge current In(8/20 μs)	10 kA
Max. discharge current Imax(8/20 μs)	20 kA
Voltage protection level Up	0.5 kV
Voltage protection level(5kA) Up	0.3 kV
Cross-sectional area (min.)	1.5 mm ² stranded / flexible
Cross-sectional area (max.)	25 mm ² stranded / flexible
Response time Ta	≤ 25 ns
Max. overcurrent protection	≤ 25 A gL/gG or SCB(P-SC-385/25x2P)
Remote communication function	P-FL-24/20.DR
Switching capacity	125 VAC/1A, 125 VDC/0.2A
Operating state / fault indication	Green / red
General parameters	
Operating temperature range	-40 °C ~ +80 °C
Installation	35 mm DIN
Enclosure dimensions (HxWxD)	90 mm x 36 mm x 66 mm
Location category	Indoor only
Enclosure material	Thermoplastic
Flame retardant grade(UL94)	V0
Protection degree	IP20
Standards	IEC 61643-11/ EN 61643-11



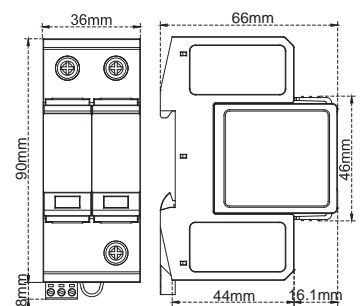
Graphics



Schematic



Dimensions



Application

